

6

5

4

3

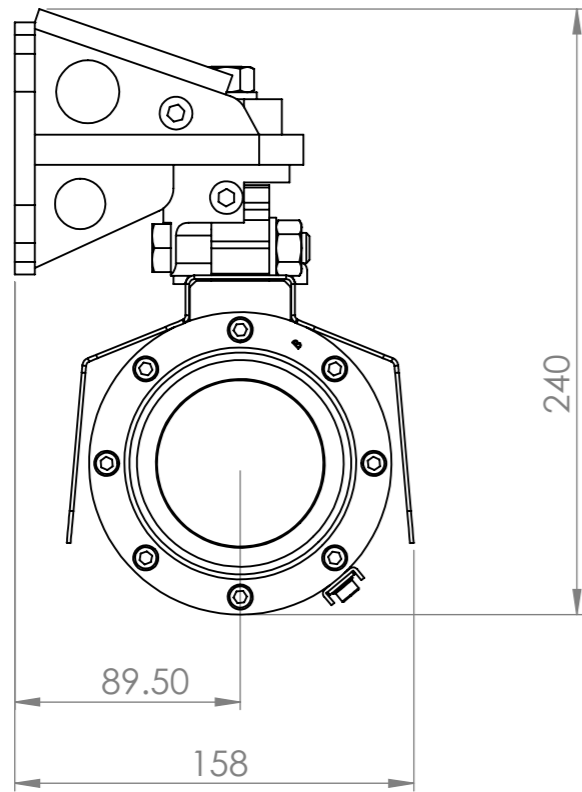
2

1

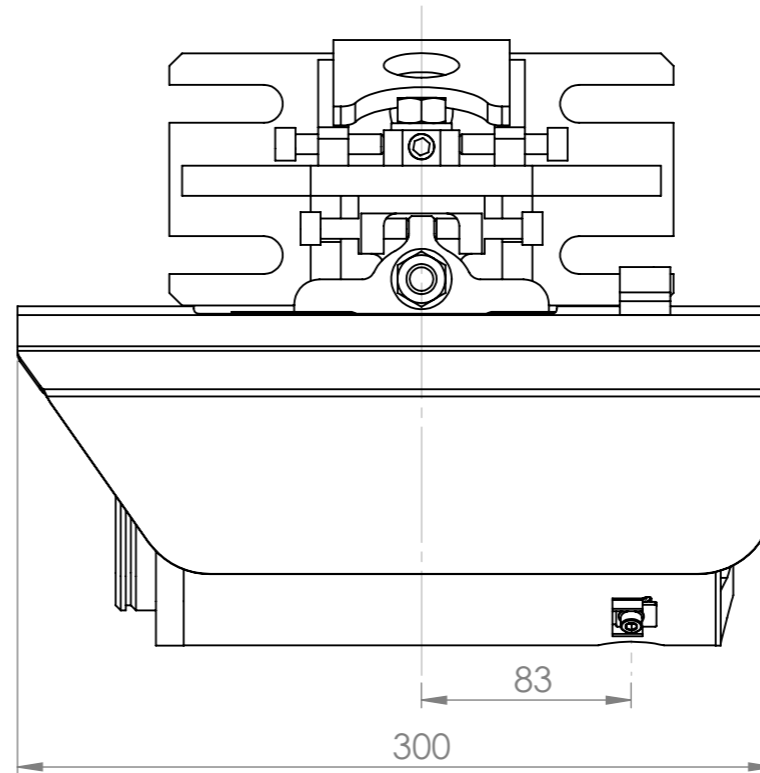
Revisions

Rev 2 - 23/3/18 DR 226

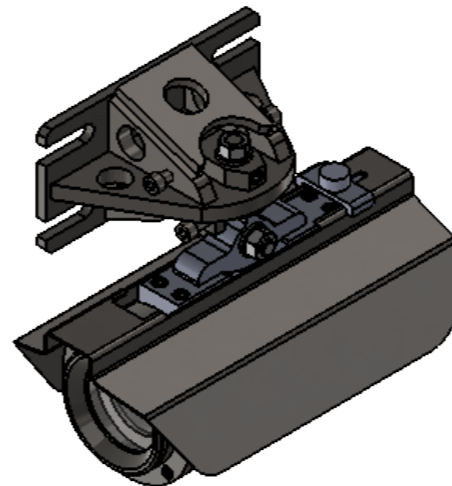
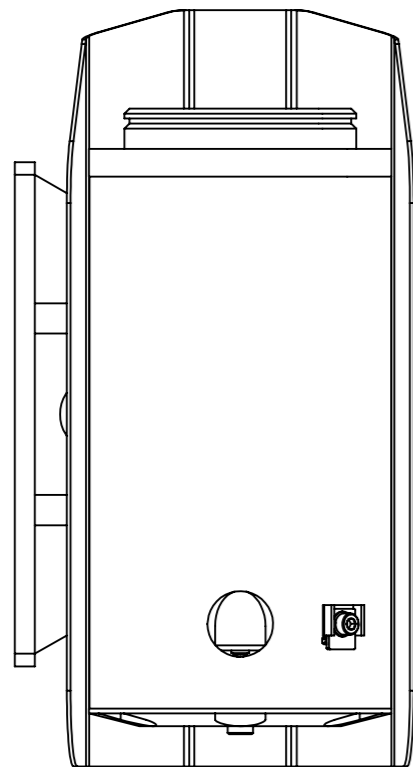
FRONT VIEW



SIDE VIEW



UNIT	WEIGHT (Kg)	MATERIAL
Bracket (FM)	3.7	SS 316
Sunshade (FM)	0.9	SS 316
Rx (Unit Only)	8	SS 316
Tx (Unit Only)	8.9	SS 316
Rx (Compete)	12.6	SS 316
Tx (Complete)	17.2	SS 316



Illustrations of Senscient ELDS Series 2000 Transmitter Unit (Tx) with FM Approval - For Reference only. A Senscient ELDS Series 2000 system is made up of a Transmitter and Receiver (Receiver not shown)

All Dimensions in mm unless stated



www.MSAafety.com

THIS DRAWING IS THE PROPERTY OF MSA - THE SAFETY COMPANY AND IS MADE AVAILABLE TO YOU IN CONFIDENCE AND SUBJECT TO THE FOLLOWING: NO PERMISSION IS GRANTED TO PUBLISH, USE, REPRODUCE, TRANSMIT OR DISCLOSE THIS DRAWING, OR ANY INFORMATION CONTAINED THEREIN TO OTHERS WITHOUT THE PRIOR WRITTEN CONSENT OF MSA - THE SAFETY COMPANY EXCEPT FOR THE MANUFACTURE OF ARTICLES FOR MSA - THE SAFETY COMPANY.



DO NOT SCALE DWG.

MSA STANDARD SHOP PRACTICES APPLY

CODE SYMBOLS

- CRITICAL \triangle
- MAJOR A \triangle MINOR (NO MARK)
- MAJOR B \triangle
- 100% INSPECTION \triangle

METRIC TOLERANCES UNLESS OTHERWISE SPECIFIED (PER ISO 2768-M)

0.5 TO >6 TO	6mm ±0.1
>6 TO >120 TO	30mm ±0.2
>120 TO >400 TO	120mm ±0.3
>400 TO	400mm ±0.5
ANGULAR	± 1/2°

SEE MSA STANDARD SHOP PRACTICES FOR DRILLED HOLE TOLERANCES

JOB NO.	DATE	APPROVAL AGENCY CODE	NIOSH ATTR. DOC.
DRAWN BY PDR	21/03/18		
CHECKED BY LPR	21/03/18		
PROJECT ENGR PDR	21/03/18		
QUALITY ASSURANCE SPC	21/03/18		
MANUFACTURING SM	21/03/18		
SHEET SIZE A3			

**ELDS Open Path
Installation Outline Drawings
FM Variant**

CADD REF: N/A

SCALE 1:3

SHEET 5 OF 11

LIFE CYCLE STATE

REVISION

2

6

5

4

3

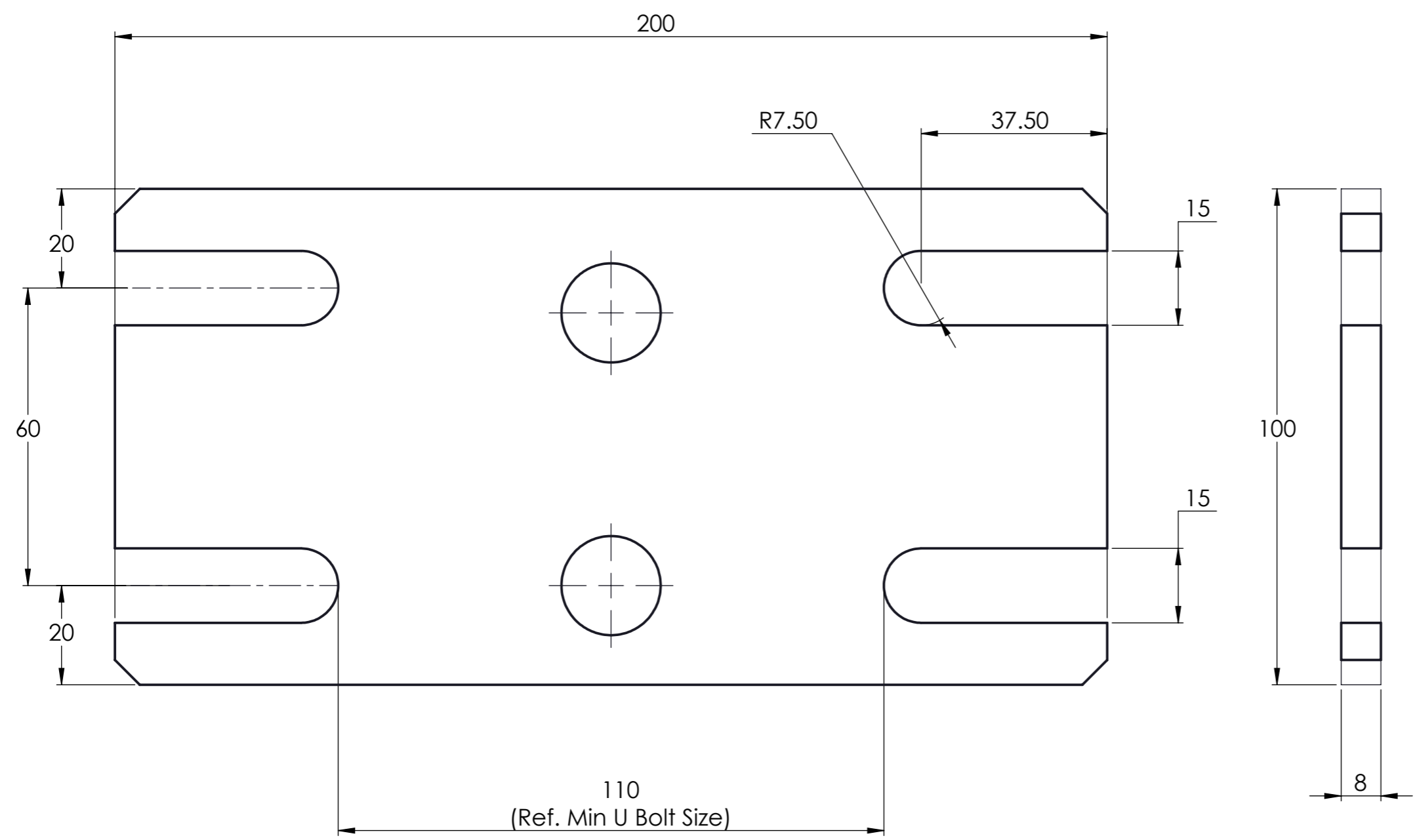
2

1

6 5 4 3 2 1

Revisions

Rev 1 - 21/3/17
 Rev 2 - 23/3/18 DR 226



All Dimensions in mm unless stated

Illustration and dimensions suitable for Standard and FM bracket

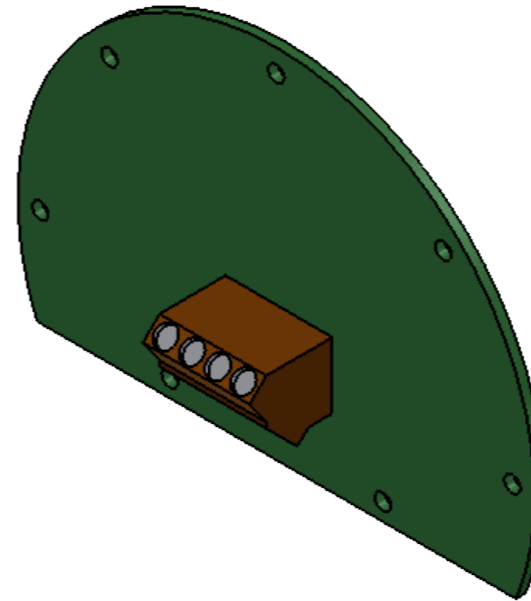
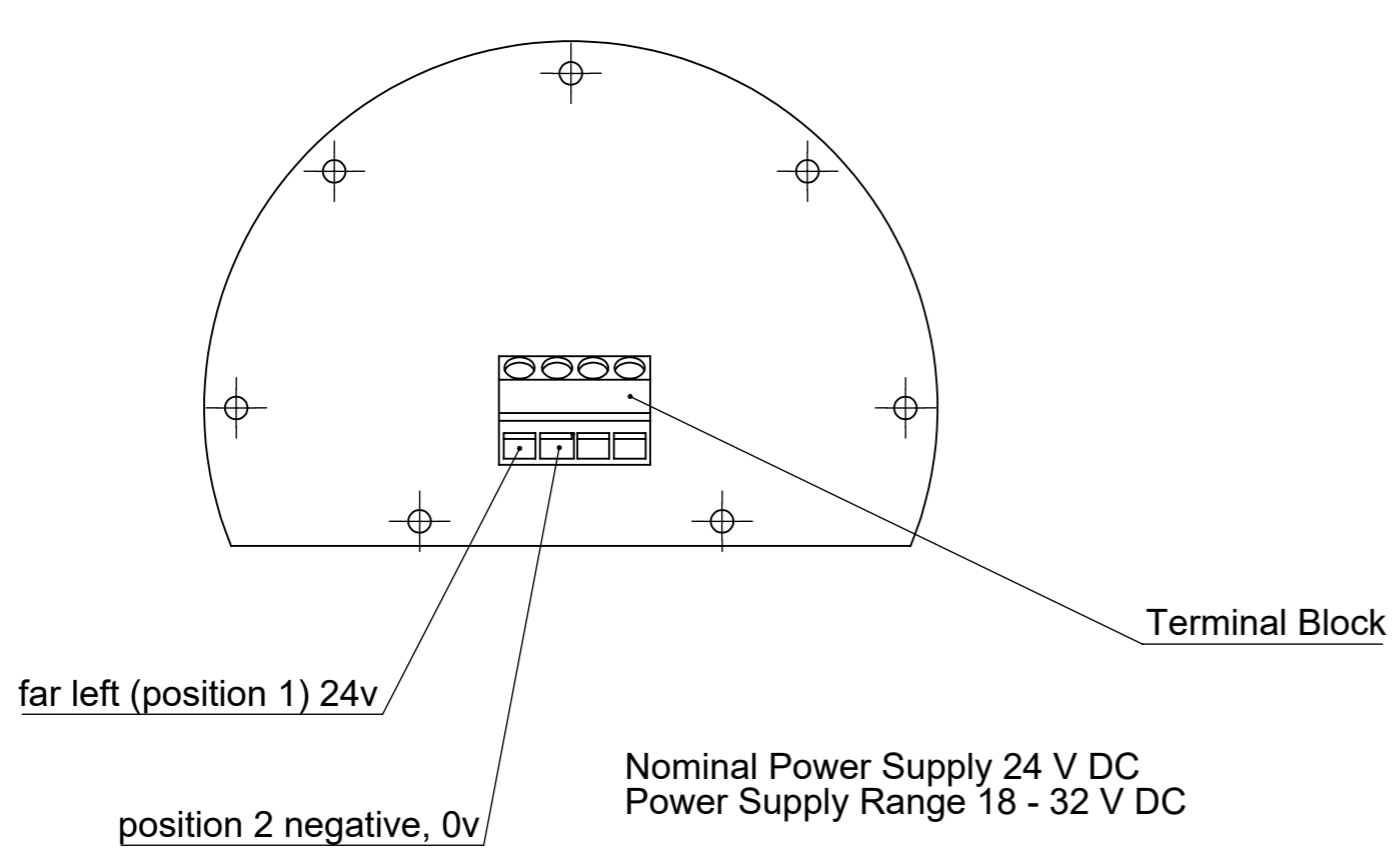
LIFE CYCLE STATE	REVISION
	2

<p>MSA The Safety Company</p>	<p>www.MSAafety.com</p>	<p>THIS DRAWING IS THE PROPERTY OF MSA - THE SAFETY COMPANY AND IS MADE AVAILABLE TO YOU IN CONFIDENCE AND SUBJECT TO THE FOLLOWING: NO PERMISSION IS GRANTED TO PUBLISH, USE, REPRODUCE, TRANSMIT OR DISCLOSE THIS DRAWING, OR ANY INFORMATION CONTAINED THEREIN TO OTHERS WITHOUT THE PRIOR WRITTEN CONSENT OF MSA - THE SAFETY COMPANY EXCEPT FOR THE MANUFACTURE OF ARTICLES FOR MSA - THE SAFETY COMPANY.</p>			<p>DO NOT SCALE DWG.</p>
		<p>MSA STANDARD SHOP PRACTICES APPLY</p>			
<p>CODE SYMBOLS</p> <p>CRITICAL </p> <p>MAJOR A MINOR (NO MARK)</p> <p>MAJOR B </p> <p>100% INSPECTION </p>	<p>JOB NO. DRAWN BY DATE</p> <p>PDR LPR PDR</p>	<p>CHECKED BY PROJECT ENGR</p> <p>LPR PDR</p>	<p>DATE</p> <p>21/03/18 21/03/18 21/03/18</p>	<p>ELDS Open Path Installation Outline Drawings Bracket Footprint</p>	
<p>METRIC TOLERANCES UNLESS OTHERWISE SPECIFIED (PER ISO 2768-M)</p> <p>0.5 TO 6mm ±0.1</p> <p>>6 TO 30mm ±0.2</p> <p>>130 TO 120mm ±0.3</p> <p>>120 TO 400mm ±0.5</p> <p>>400 TO 1000mm ±0.8</p> <p>ANGULAR ± 1/2°</p> <p>SEE MSA STANDARD SHOP PRACTICES FOR DRILLED HOLE TOLERANCES</p>	<p>QUALITY ASSURANCE</p> <p>SPC</p>	<p>DATE</p> <p>21/03/18</p>	<p>MANUFACTURING</p> <p>SM</p>	<p>DATE</p> <p>21/03/18</p>	<p>CADD REF: N/A</p>
<p>SHEET SIZE</p> <p>A3</p>		<p>01-01-2556-D</p>		<p>SCALE 1:1</p>	<p>SHEET 6 OF 11</p>

Illustrations of Senscient ELDS Series 2000 Mounting Bracket Footprint - For Reference only.
 A Senscient ELDS Series 2000 system is made up of a Transmitter and Receiver (Both not shown)

6 5 4 3 2 1

Terminal PCB Example (Tx - Transmitter Shown)



Power Supply Connections, Wiring, and Fuses

COMPONENT	MAXIMUM POWER CONSUMPTION	MAXIMUM CABLE LENGTH WITH 1.5mm ² CONDUCTORS (12 Ohms/Km) AND 24 VDC SUPPLY	MAXIMUM CABLE LENGTH WITH 2.5mm ² CONDUCTORS (7.6 Ohms/Km) AND 24 VDC SUPPLY	TERMINAL SIZES	MINIMUM FUSE RATING	RECOMMENDED FUSE RATING
Transmitter	12 W	450 m (1476 ft)	710 m (2329 ft)	0.5 mm ² - 2.5 mm ² (20 AWG - 14 AWG)	1 A	1.5 A
Receiver	10 W	375 m (1230 ft)	1936 m (1936 ft)	0.5 mm ² - 2.5 mm ² (20 AWG - 14 AWG)	0.75 A	1 A
System (Tx+Rx)	22W	-	-	-	1.75 A	2.0 A

All Dimensions in mm unless stated

 <small>www.MSAafety.com</small>	<small>THIS DRAWING IS THE PROPERTY OF MSA - THE SAFETY COMPANY AND IS MADE AVAILABLE TO YOU IN CONFIDENCE AND SUBJECT TO THE FOLLOWING: NO PERMISSION IS GRANTED TO PUBLISH, USE, REPRODUCE, TRANSMIT OR DISCLOSE THIS DRAWING, OR ANY INFORMATION CONTAINED THEREIN TO OTHERS WITHOUT THE PRIOR WRITTEN CONSENT OF MSA - THE SAFETY COMPANY EXCEPT FOR THE MANUFACTURE OF ARTICLES FOR MSA - THE SAFETY COMPANY.</small>		 <small>DO NOT SCALE DWG.</small>
	<small>MSA STANDARD SHOP PRACTICES APPLY</small>	<small>JOB NO.</small> PDR	
<small>CRITICAL</small> <small>MAJOR A</small> <small>MAJOR B</small> <small>100% INSPECTION</small>	<small>CHECKED BY</small> LPR	<small>DATE</small> 21/03/18	ELDS Open Path Installation Outline Drawings Wiring - Overview
<small>METRIC TOLERANCES UNLESS OTHERWISE SPECIFIED (PER ISO 2768-M)</small> 0.5 TO 6mm ±0.1 >6 TO 30mm ±0.2 >130 TO 120mm ±0.3 >120 TO 400mm ±0.5 >400 TO 1000mm ±0.8 <small>ANGULAR ± 1/2°</small> <small>SEE MSA STANDARD SHOP PRACTICES FOR DRILLED HOLE TOLERANCES</small>	<small>PROJECT ENGR</small> PDR	<small>DATE</small> 21/03/18	
<small>QUALITY ASSURANCE</small> SPC	<small>DATE</small> 21/03/18	<small>MANUFACTURING</small> SM	
<small>SHEET SIZE</small> A3	<small>CADD REF: N/A</small>	01-01-2556-D	<small>SCALE</small> n/a <small>SHEET</small> 8 OF 11

Revisions	
REV 1 - 21-3-17	
Rev 2 - 23/3/18 DR 226	

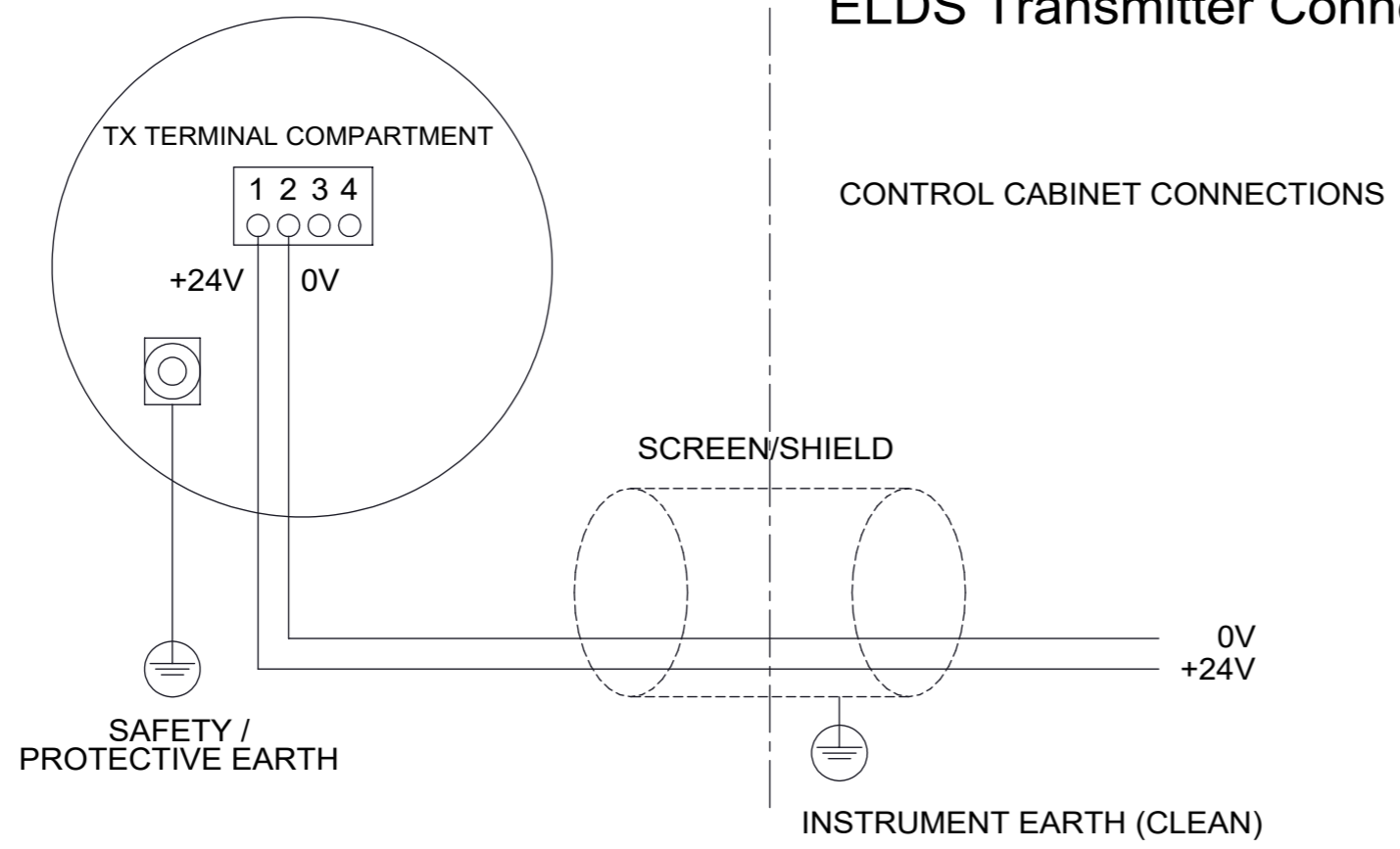
LIFE CYCLE STATE	REVISION
	2

6 5 4 3 2 1

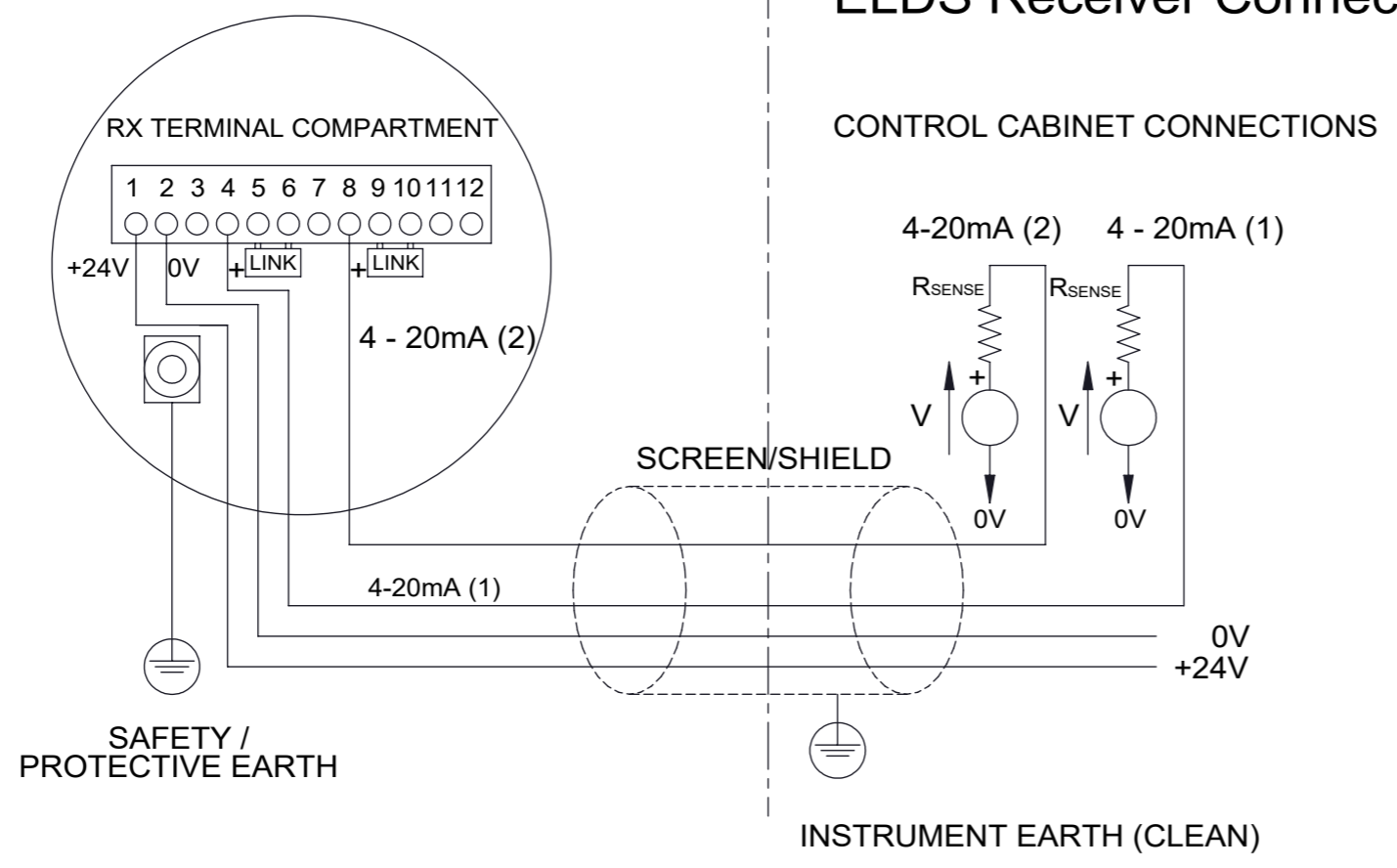
Revisions

REV 1 - 21-3-17
Rev 2 - 23/3/18 DR 226

ELDS Transmitter Connections



ELDS Receiver Connections (Current Sink)



All Dimensions in mm unless stated

		THIS DRAWING IS THE PROPERTY OF MSA - THE SAFETY COMPANY AND IS MADE AVAILABLE TO YOU IN CONFIDENCE AND SUBJECT TO THE FOLLOWING: NO PERMISSION IS GRANTED TO PUBLISH, USE, REPRODUCE, TRANSMIT OR DISCLOSE THIS DRAWING, OR ANY INFORMATION CONTAINED THEREIN TO OTHERS WITHOUT THE PRIOR WRITTEN CONSENT OF MSA - THE SAFETY COMPANY EXCEPT FOR THE MANUFACTURE OF ARTICLES FOR MSA - THE SAFETY COMPANY.		DO NOT SCALE DWG.	
MSA STANDARD SHOP PRACTICES APPLY		APPROVAL AGENCY CODE		NIOSH ATTR. DOC.:	
CODE SYMBOLS CRITICAL MAJOR A MAJOR B 100% INSPECTION		JOB NO. DRAWN BY DATE CHECKED BY PROJECT ENGR DATE		REVISION 2	
METRIC TOLERANCES UNLESS OTHERWISE SPECIFIED (PER ISO 2768-M) 0.5 TO >6 TO >130 TO >120 TO >400 TO ANGULAR 6mm ±0.1 30mm ±0.2 120mm ±0.3 400mm ±0.5 1000mm ±0.8 ± 1/2" SEE MSA STANDARD SHOP PRACTICES FOR DRILLED HOLE TOLERANCES		QUALITY ASSURANCE SPC 21/03/18 MANUFACTURING SM 21/03/18		ELDS Open Path Installation Outline Drawings Wiring - Current Sink	
SHEET SIZE A3		CADD REF: N/A		SCALE n/a	
SHEET 9 OF 11		01-01-2556-D		SHEET 9 OF 11	

6 5 4 3 2 1

D

D

C

C

B

B

A

A

6

5

4

3

2

1

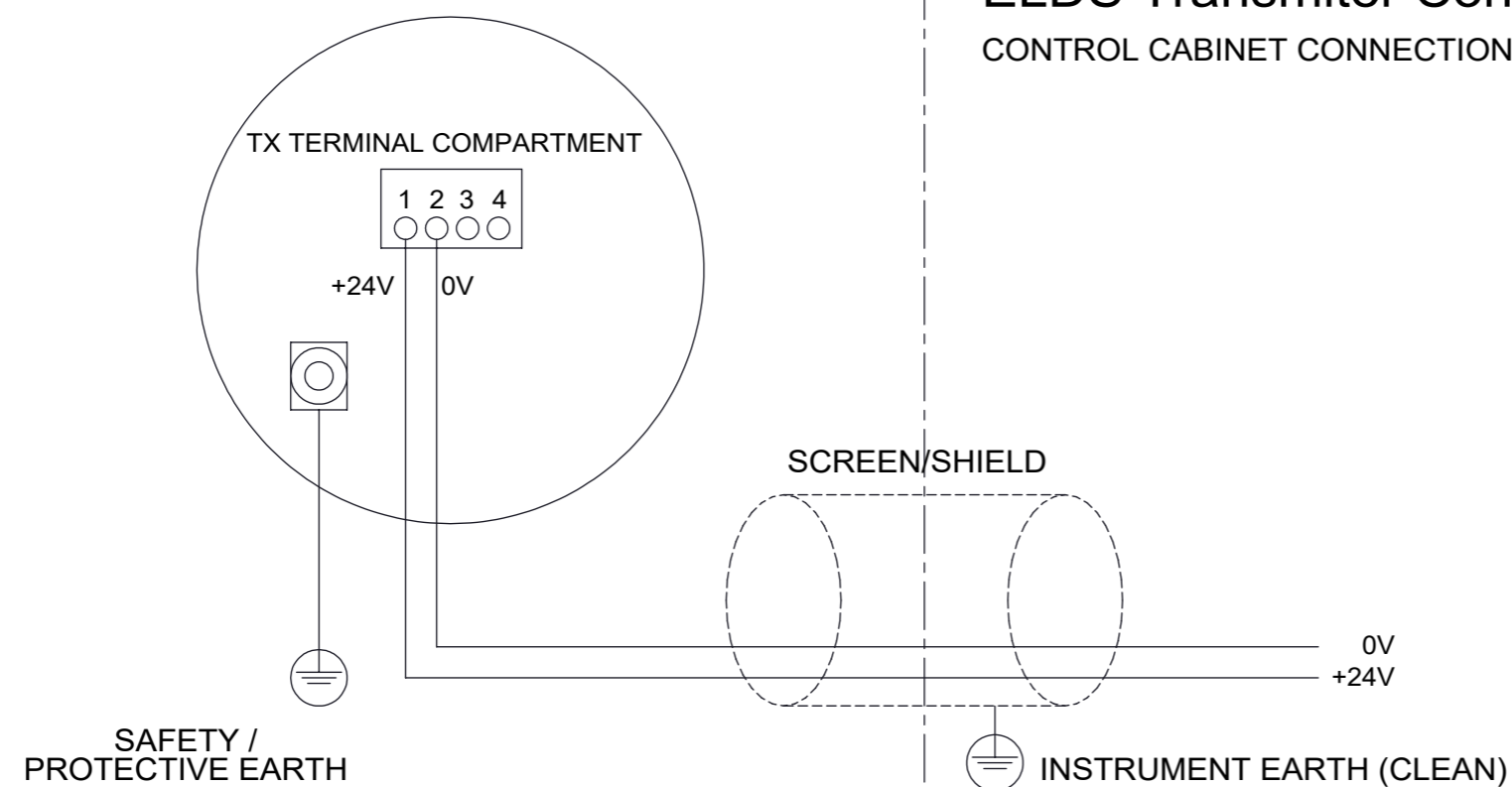
Revisions

REV 1 - 21-3-17

Rev 2 - 23/3/18 DR 226

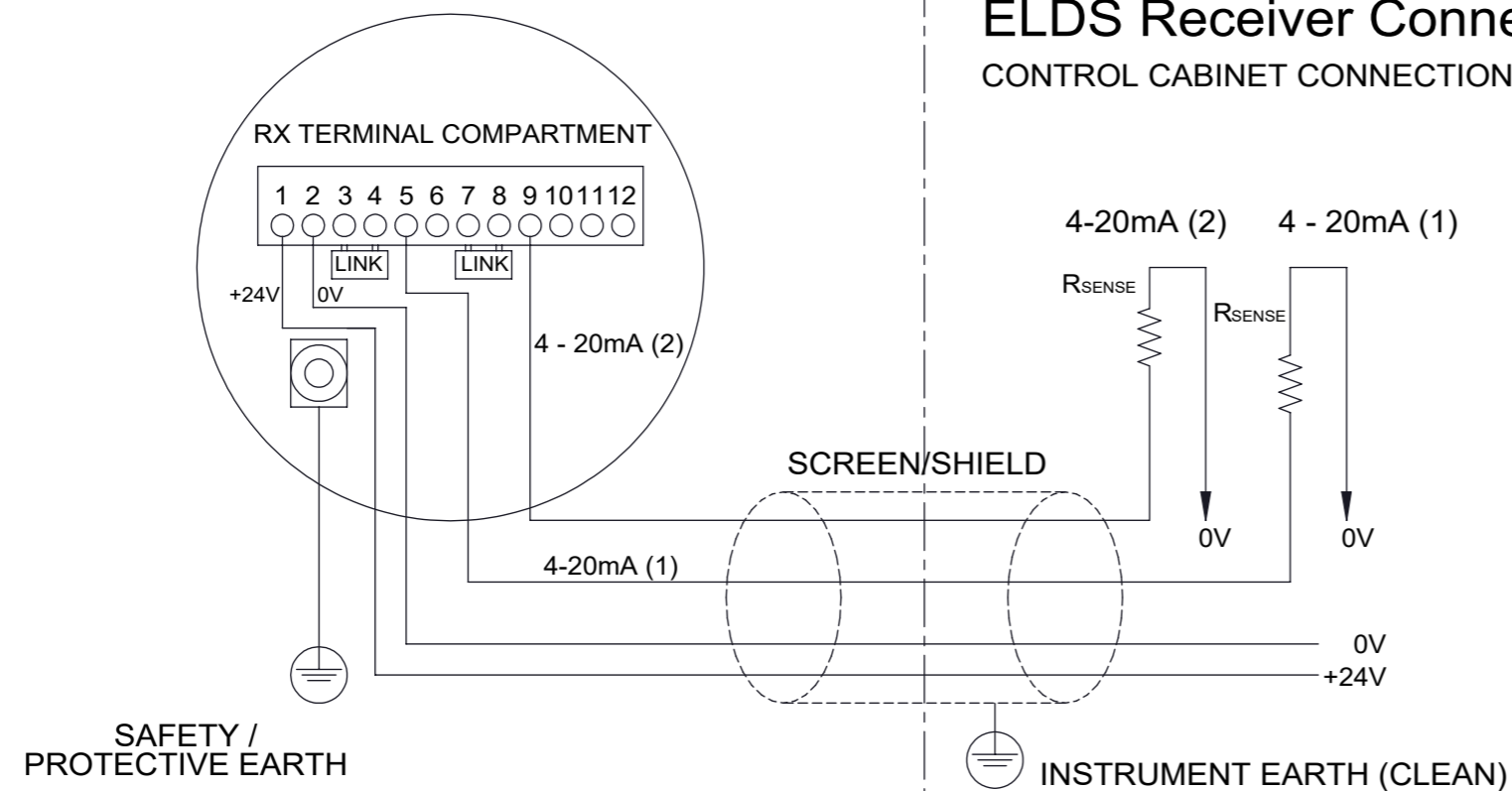
ELDS Transmitter Connections

CONTROL CABINET CONNECTIONS



ELDS Receiver Connections (Current Source)

CONTROL CABINET CONNECTIONS



All Dimensions in mm unless stated



www.MSAafety.com

THIS DRAWING IS THE PROPERTY OF MSA - THE SAFETY COMPANY AND IS MADE AVAILABLE TO YOU IN CONFIDENCE AND SUBJECT TO THE FOLLOWING: NO PERMISSION IS GRANTED TO PUBLISH, USE, REPRODUCE, TRANSMIT OR DISCLOSE THIS DRAWING, OR ANY INFORMATION CONTAINED THEREIN TO OTHERS WITHOUT THE PRIOR WRITTEN CONSENT OF MSA - THE SAFETY COMPANY EXCEPT FOR THE MANUFACTURE OF ARTICLES FOR MSA - THE SAFETY COMPANY.



DO NOT SCALE DWG.

MSA STANDARD SHOP PRACTICES APPLY

CODE SYMBOLS

- CRITICAL
- MAJOR A
- MAJOR B
- 100% INSPECTION

METRIC TOLERANCES UNLESS OTHERWISE SPECIFIED (PER ISO 2768-M)

0.5 TO >6	6mm ±0.1
>6 TO >130	30mm ±0.2
>130 TO >120	120mm ±0.3
>120 TO >400	400mm ±0.5
>400 TO ANGULAR	1000mm ±0.8

ANGULAR ± 1/2°
SEE MSA STANDARD SHOP PRACTICES FOR DRILLED HOLE TOLERANCES

JOB NO.	DATE
DRAWN BY	21/03/18
CHECKED BY	
PROJECT ENGR.	21/03/18
QUALITY ASSURANCE	
SPC	21/03/18
MANUFACTURING	
SM	21/03/18
SHEET SIZE	
A3	

APPROVAL AGENCY CODE	NIOSH ATTR. DOC.
<h1>ELDS Open Path Installation Outline Drawings</h1> <h2>Wiring - Current Source</h2>	
CADD REF: N/A	SCALE n/a
01-01-2556-D	
SHEET 10 OF 11	

LIFE CYCLE STATE	REVISION
	2

6

5

4

3

2

1

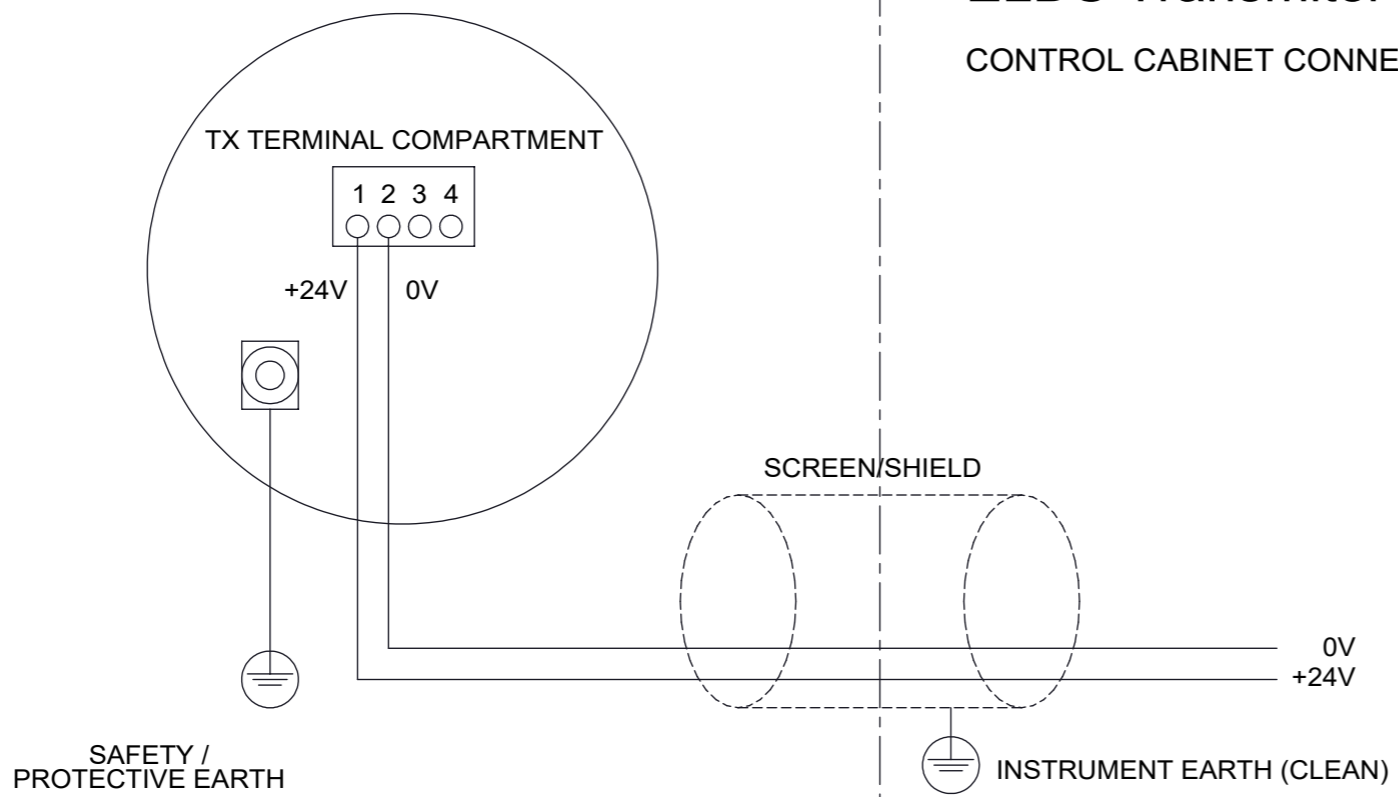
6 5 4 3 2 1

Revisions

REV 1 - 21/3/17
Rev 2 - 23/3/18 DR 226

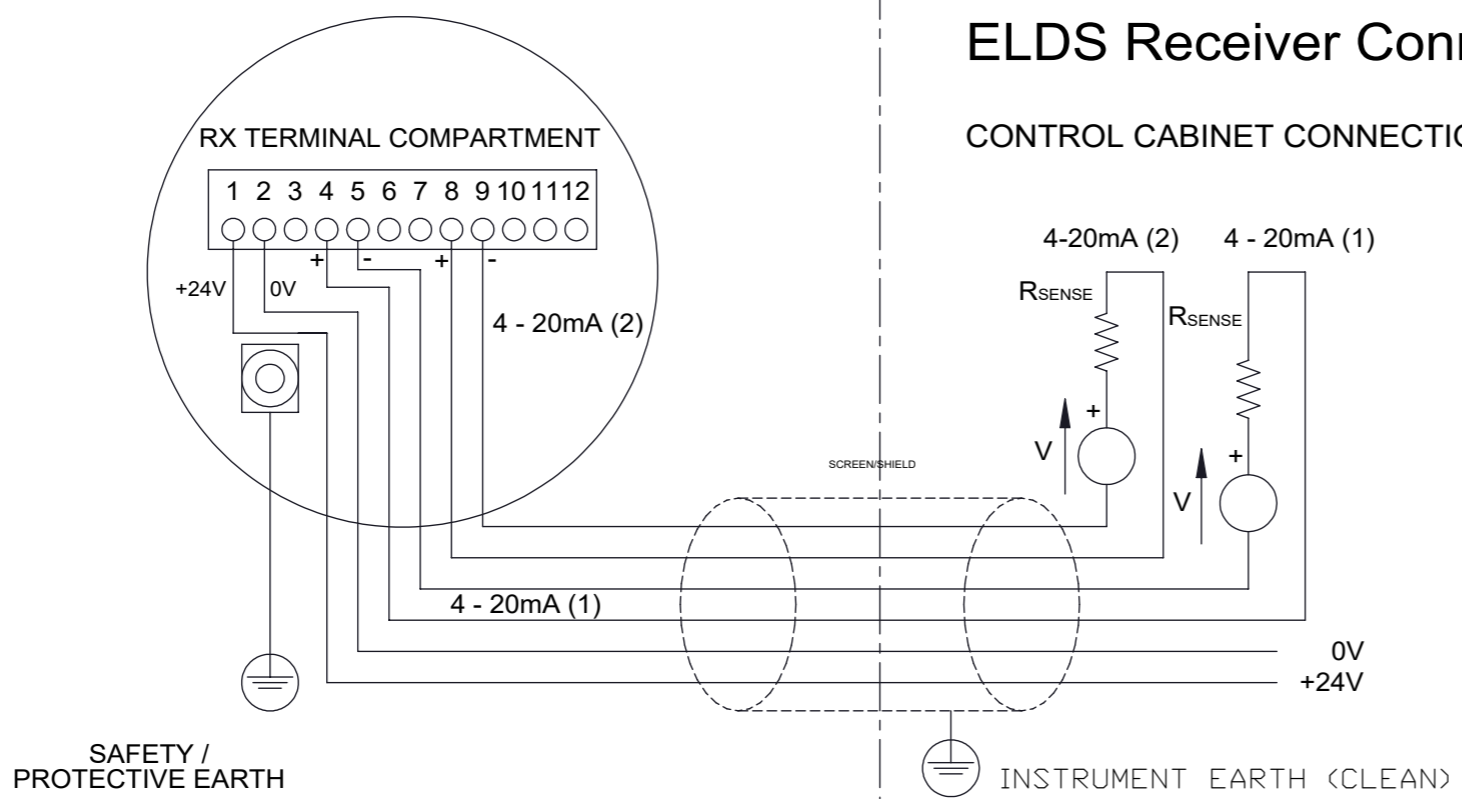
ELDS Transmitter Connections

CONTROL CABINET CONNECTIONS



ELDS Receiver Connections (Isolated Output)

CONTROL CABINET CONNECTIONS

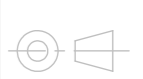


All Dimensions in mm unless stated



www.MSAafety.com

THIS DRAWING IS THE PROPERTY OF MSA - THE SAFETY COMPANY AND IS MADE AVAILABLE TO YOU IN CONFIDENCE AND SUBJECT TO THE FOLLOWING: NO PERMISSION IS GRANTED TO PUBLISH, USE, REPRODUCE, TRANSMIT OR DISCLOSE THIS DRAWING, OR ANY INFORMATION CONTAINED THEREIN TO OTHERS WITHOUT THE PRIOR WRITTEN CONSENT OF MSA - THE SAFETY COMPANY EXCEPT FOR THE MANUFACTURE OF ARTICLES FOR MSA - THE SAFETY COMPANY.



DO NOT SCALE DWG.

MSA STANDARD SHOP PRACTICES APPLY

CODE SYMBOLS

- CRITICAL
- MAJOR A MINOR (NO MARK)
- MAJOR B
- 100% INSPECTION

METRIC TOLERANCES UNLESS OTHERWISE SPECIFIED (PER ISO 2768-M)

0.5 TO >6	6mm ±0.1
>6 TO >120	30mm ±0.2
>120 TO >400	120mm ±0.3
>400 TO ANGULAR	400mm ±0.5
	1000mm ±0.8

SEE MSA STANDARD SHOP PRACTICES FOR DRILLED HOLE TOLERANCES

JOB NO. DATE

PDR 21/03/18

CHECKED BY **LPR** 21/03/18

PROJECT ENGR. **PDR** 21/03/18

QUALITY ASSURANCE **SPC** 21/03/18

MANUFACTURING **SM** 21/03/18

SHEET SIZE **A3**

APPROVAL AGENCY CODE NIOSH ATTR. DOC.:

ELDS Open Path Installation Outline Drawings Wiring - Isolated Output

CADD REF: N/A

REVISION

2

SCALE n/a

SHEET 11 OF 11

6 5 4 3 2 1